

**Cemeteries Department**

Woodvale Lodge  
Lewes Road  
Brighton  
BN2 3QB



# Purchase Application Form for Hove Cemetery

We wish to acquire the Grant of Ownership to the Exclusive Right of Burial to a grave space, as detailed below, for a period of 50 years.

Do you wish to buy a plot that is suitable for ashes only? Yes  No

We request that the Deed of Grant be made to\* (A maximum of two people can become owners of the Grant of Exclusive Right of Burial of a grave space. Having two people owning the Grants negates the necessity of applying for a transfer of ownership when the single owner dies.)

Forenames (in full):  Surname:  Title:

Address:

Post Code:

Email:  Tel:

Forenames (in full):  Surname:  Title:

Address:

Post Code:

Email:  Tel:

In being granted the Exclusive Right of Burial, we hereby agree to abide by the Cemetery Rules, including the Special Regulations detailed overleaf. We also acknowledge that any unauthorised item(s) will be removed from the grave space. The size of the grave space is 7ft by 2ft 8in (not applicable to ashes only plots). If the coffin to be buried is larger than 6ft 10in by 2ft 5in, you may not be able to use this space.

Signed  and  Dated:

\*Please note that the information provided in this application will be recorded in Statutory Registers and used to produce a legally binding Deed of Ownership – it therefore needs to be in full and accurate.

**Fees** See current schedule of fees and charges published elsewhere on our website.  
[www.brighton-hove.gov.uk/woodvale](http://www.brighton-hove.gov.uk/woodvale)

**Please call to make a payment by phone or send a cheque made payable to Brighton & Hove City Council with this form to the address above.**

### Office use only

Receipt Number	Purchase Number	Block / Section	Purchase Fee
<input type="text"/>	<input type="text"/>	<input type="text"/>	<input type="text"/>



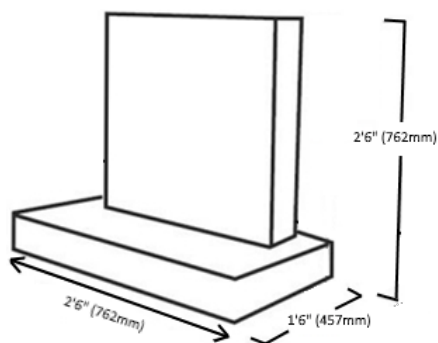
# Hove Cemetery Lawn Sections

**For the avoidance of doubt, this an application for a grant of burial rights only. It is not the grant, transfer, or sale of an interest in land.**

Please ensure that you understand the restrictions associated with lawn sections prior to purchase.

The grave surface will be of mown grass, with an area 2' 6" wide by 2' deep at the head end of the grave designated for the erection of a memorial and planting space if desired. The remaining area will not be marked or delineated in any way from the surrounding lawns and must be kept clear at all times.

A separate application will be required to place a memorial headstones and permits will only be issued to memorial masons who are authorised by Brighton & Hove City Council within its Memorial Mason Registration Scheme



They must be:

- made of natural hard stone;
- less than two ft six ins (762 mm) wide, one ft six ins (457 mm) deep and two feet six inches (762 mm) high from the lowest part of the grave, taking into account any sloping ground;
- laid with the back edge of the stone on the back line of the grave space; and
- securely fixed to a foundation stone.
- installed by a Brighton & Hove City Council authorised memorial mason.

We reserve the right to remove any item that we consider unsuitable, unstable or dilapidated from any grave or memorial without notice. And to grass over any planting strip that has become neglected. No compensation of any sort will be payable by us in respect of any such removal or disposal. We may from time to time remove plants, cut flowers, wreaths or other such items in the interests of maintaining the cemetery to the highest standards. The following items are not permitted to be placed within the planting section of the lawn sections:

- Wind chimes, windmills, tinsels
- Lights, candles, Chinese lanterns
- Any kind of fencing
- Ornaments including statues
- Hazardous items such as chippings and stakes
- Sharp objects such as gardening tools, scissors etc.
- Flags, clothing, toys or balloons
- Photos (with or without frames)
- Anything made of glass, ceramic, or metal
- Alcohol or alcohol containers
- Anything flammable

The general maintenance of the memorial is the responsibility of the grave owner. We do not automatically accept responsibility for any damage to memorials but will conduct an investigation to ascertain culpability. Any damaged found to be caused by Brighton & Hove City Council Staff will be rectified. When a grave is excavated, it may be necessary to temporarily remove one or more memorials of adjacent grave(s) to enable access to the grave. In such circumstances, the affected memorial(s) will be replaced immediately following the funeral. We are not responsible for the damage of floral tributes due to the wildlife. We are not liable for any damage caused to a memorial or vase by a tree or branch that has fallen due to causes beyond our control, or decay not visible from the ground, or the wildlife.

In order to excavate or gain access to a grave, it may be necessary to temporarily place machinery, equipment and excavated materials on top of adjacent graves. The period during which this may be necessary will be kept to a minimum. Once the burial has been completed, the grave will be backfilled, and the surface of any adjacent grave affected by the works will be made good. When a grave is excavated for a second or subsequent burial, it may be necessary to remove the memorial upon the grave to enable safe excavation.

We reserve the right to access all areas of the cemetery to undertake maintenance and grave digging operations including areas in which you have burial rights.

Following a burial:

- the grave will be backfilled and any floral tributes will be placed carefully over the grave.
- all floral tributes and tribute cards, including plastic bases, will be removed and disposed of by us when they have weathered.
- the grave surface will settle over the next few years. This will be monitored and topped up by grounds staff when weather and soil conditions allow.

## For Funeral Directors

I have made my clients aware of the above rules and regulations.

Signature:

Date: