

Cemeteries Department

Woodvale Lodge
Lewes Road
Brighton
BN2 3QB

Form of Indemnity: Hove

For the provision of a memorial, when the owner to the Grant of Exclusive Right of Burial to the grave-space is deceased.

Name of Cemetery:	Hove Cemetery	Grave Number:	<input type="text"/>
-------------------	----------------------	---------------	----------------------

I, (FULL names):

of (address):

Post Code:

hereby confirm that the owner to the Grant of Exclusive Right of Burial is deceased and therefore apply to Brighton & Hove City Council in my capacity as

(state relationship to grave owner) and nearest surviving relative of the registered grave owner

(name of registered grave owner)

for authority to proceed with the memorial works as detailed on the attached Memorial Permit Application form dated:

I agree to pay for the removal of the said memorial works, together with the re-instatement of the grave-space, should the lawful owner to the Exclusive Right of Burial to the said grave, or any person acting on his or her behalf, wish to provide their own memorial to the grave-space or require the memorial works, as detailed on the attached Memorial Permit Application form, to be removed.

In making this application, I hereby agree to INDEMNIFY Brighton & Hove City Council, against all costs, liabilities or proceedings of any nature whatsoever brought in respect of the said memorial works by the lawful owner to the Exclusive Right of Burial to the said grave or any person acting on his or her behalf.¹

I agree to abide by the rules and regulations overleaf.

Signed (Applicant):

Email:

Telephone: Dated:

Signed (Witness):

Address:

Post Code:

Dated:

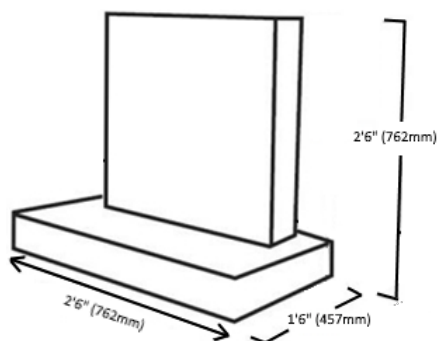
¹ In this paragraph you agree to reimburse and/or compensate the Council should they incur any costs or liabilities as a result of giving permission for your memorial works.



Hove Cemetery Lawn Sections

The grave surface will be of mown grass, with an area 2' 6" wide by 2' deep at the head end of the grave designated for the erection of a memorial and planting space if desired. The remaining area will not be marked or delineated in any way from the surrounding lawns and must be kept clear at all times.

A separate application will be required to place a memorial headstones and permits will only be issued to memorial masons who are authorised by Brighton & Hove City Council within its Memorial Mason Registration Scheme



They must be:

- made of natural hard stone;
- less than two ft six ins (762 mm) wide, one ft six ins (457 mm) deep and two feet six inches (762 mm) high from the lowest part of the grave, taking into account any sloping ground;
- laid with the back edge of the stone on the back line of the grave space; and
- securely fixed to a foundation stone.
- installed by a Brighton & Hove City Council authorised memorial mason.

We reserve the right to remove any item that we consider unsuitable, unstable or dilapidated from any grave or memorial without notice. And to grass over any planting strip that has become neglected. No compensation of any sort will be payable by us in respect of any such removal or disposal. We may from time to time remove plants, cut flowers, wreaths or other such items in the interests of maintaining the cemetery to the highest standards. The following items are not permitted to be placed within the planting section of the lawn sections:

- Wind chimes, windmills, tinsels
- Lights, candles, Chinese lanterns
- Any kind of fencing
- Ornaments including statues
- Hazardous items such as chippings and stakes
- Sharp objects such as gardening tools, scissors etc.
- Flags, clothing, toys or balloons
- Photos (with or without frames)
- Anything made of glass, ceramic, or metal
- Alcohol or alcohol containers
- Anything flammable

The general maintenance of the memorial is the responsibility of the grave owner. We do not automatically accept responsibility for any damage to memorials but will conduct an investigation to ascertain culpability. Any damaged found to be caused by Brighton & Hove City Council Staff will be rectified. When a grave is excavated, it may be necessary to temporarily remove one or more memorials of adjacent grave(s) to enable access to the grave. In such circumstances, the affected memorial(s) will be replaced immediately following the funeral. We are not responsible for the damage of floral tributes due to the wildlife. We are not liable for any damage caused to a memorial or vase by a tree or branch that has fallen due to causes beyond our control, or decay not visible from the ground, or the wildlife.

In order to excavate or gain access to a grave, it may be necessary to temporarily place machinery, equipment and excavated materials on top of adjacent graves. The period during which this may be necessary will be kept to a minimum. Once the burial has been completed, the grave will be backfilled, and the surface of any adjacent grave affected by the works will be made good. When a grave is excavated for a second or subsequent burial, it may be necessary to remove the memorial upon the grave to enable safe excavation.

We reserve the right to access all areas of the cemetery to undertake maintenance and grave digging operations including areas in which the grave is situated.

Following a burial:

- the grave will be backfilled and any floral tributes will be placed carefully over the grave.
- all floral tributes and tribute cards, including plastic bases, will be removed and disposed of by us when they have weathered.
- the grave surface will settle over the next few years. This will be monitored and topped up by grounds staff when weather and soil conditions allow.